

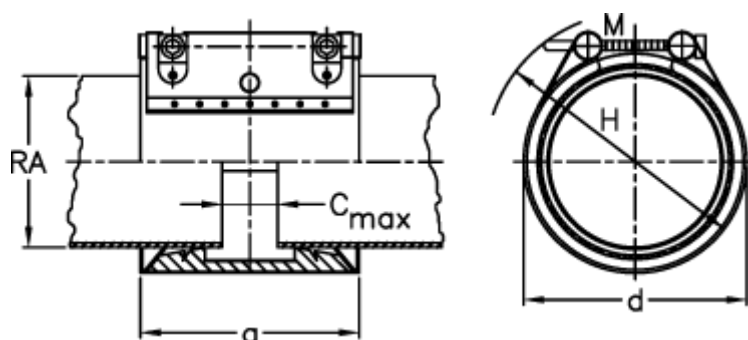
# Data Sheet



Article number: 025799100026

Description: Norma Connect pipe coupling  
GRIP E W2 Ø=26,9 EPDM, 16 bar

## Measures



a = 67

C max with insertion band = 3

d = 50

H = 70

M (screw) = M8

Nominal pressure (bar) = 16

RA = 26.9

RA min-RA max = 26,4-27,4

Weight a piece = 0.4